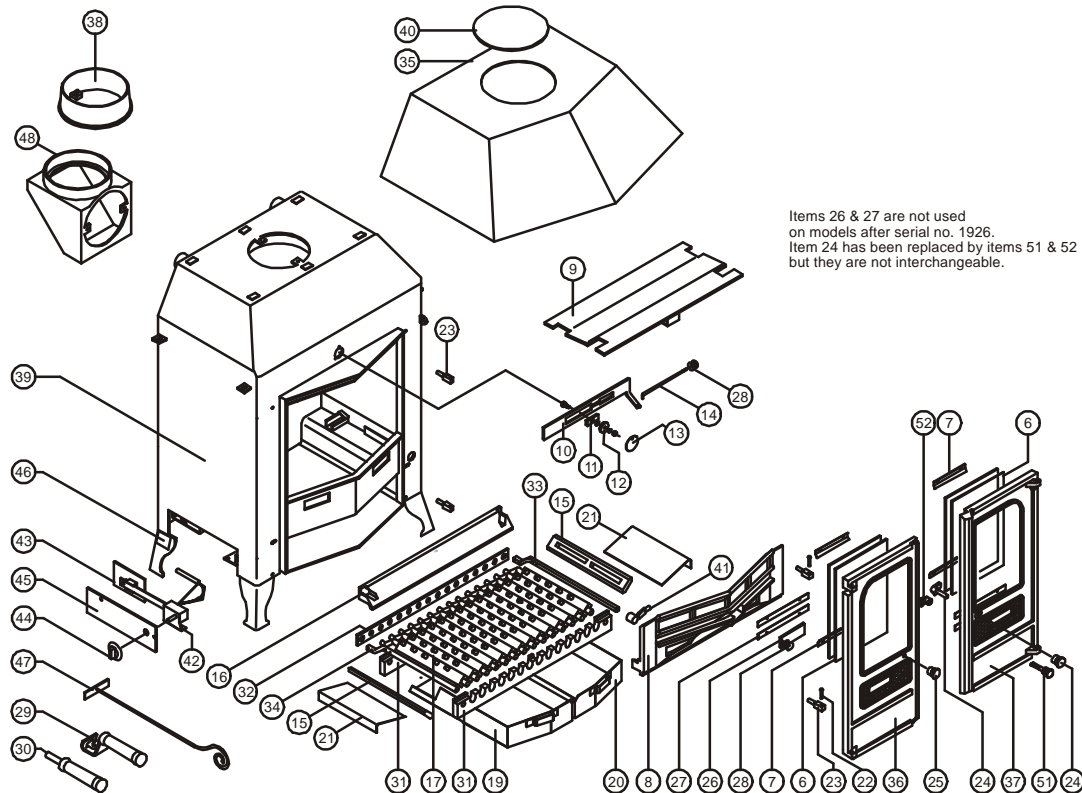


Parts List



Items 26 & 27 are not used on models after serial no. 1926.
Item 24 has been replaced by items 51 & 52 but they are not interchangeable.

Item	Part No.	Description	Item	Part No.	Description
1*	008/FV35L	Left Hand Door Seal	36	002/FV01	Left Hand Door
2*	008/FV35R	Right Hand Door Seal	37	002/FV02	Right Hand Door
3*	008/FV35/S	Door Seal Set Incl. Adhesive	38	002/CH12B	Flue Collar
4*	008/FW29	Door Seal Adhesive	39	009/CO15B/A	Firebox / Boiler Assy (Country 15B) ...
5*	008/TW44S	Glass Channel (set of 8)	40	012/TW09	Blanking Plate
6	006/LW30	Glass (Inc Channel)	41	002/TW34	Riddler Knob & Lever
7	004/EW23	Glazing Bar	42	008/FW48	Thermostat
8	002/FV07	Front Firebars	43	008/FV49	Thermostat Flap
9	010/FV31	Throat Plate	44	008/BW50	Thermostat Knob
10	012/FV14/1	Secondary Air Slide	45	012/FV10B/19	Thermostat Cover
11	012/FV14/2	Secondary Air Slide Guide	46	012/FV11	Serial No. Label
12	012/FV14/3	Secondary Air Slide Retainer	47	012/FW34	Scraper Tool
13	012/FV14/4	Secondary Air Cover	48	010/TW33	Vert. Rear Flue Connector (Opt'l Extra)
14	004/FV15	Secondary Air Rod	49*	010/BW51	Ash Carrier (Optional Extra)
15	002/EW15	Side Fire Plate	50*	008/TH02/L	Low Level Pipe Stat (Opt'l Extra)
16	002/BV16	Back Fire Plate	51	002/DY18	R.H. Door Knob & Spindle
17	002/CG01	Bottom Grate Bar	52	002/KV14	Door Catch Cam
18	002/CG01S14	Set of Grate Bars (14 per set)			
19	004/FV17L	Left Hand Ashpan			
20	004/FV17R	Right Hand Ashpan			
21	004/BV19	Ash Shedding Plates			
22	008/BW39/S	Hinge Pin Set (4 per set)			
23	008/FW27	Hinge Post			
24	008/FV03/A	Door Catch Assembly			
25	002/BV12	Left Hand Door Knob			
26	012/TW14	Primary Air Slide			
27	004/FV18	Primary Air Slide Guide			
28	002/TW13	Air Control Knob			
29	012/BV20/A	Ashpan / Door Opening Tool			
30	012/BV22/A	Riddling Tool			
31	002/BV30	Carrier Bar			
32	012/BV33	Mover Bar			
33	012/BV23	Riddler Rod			
34	012/CG05	Idler Rod			
35	010/FV06	Low Canopy			

* These items are not shown on the drawing.
Prices are shown in pounds sterling with vat at 17.5%



To obtain spare parts please contact your local stockist giving Model, Part No. and Description. In case of difficulty contact the manufacturer at the address shown. This drawing is for identification purposes only.